

# CERTIFICATE OF LOCATION OF GOVERNMENT CORNER

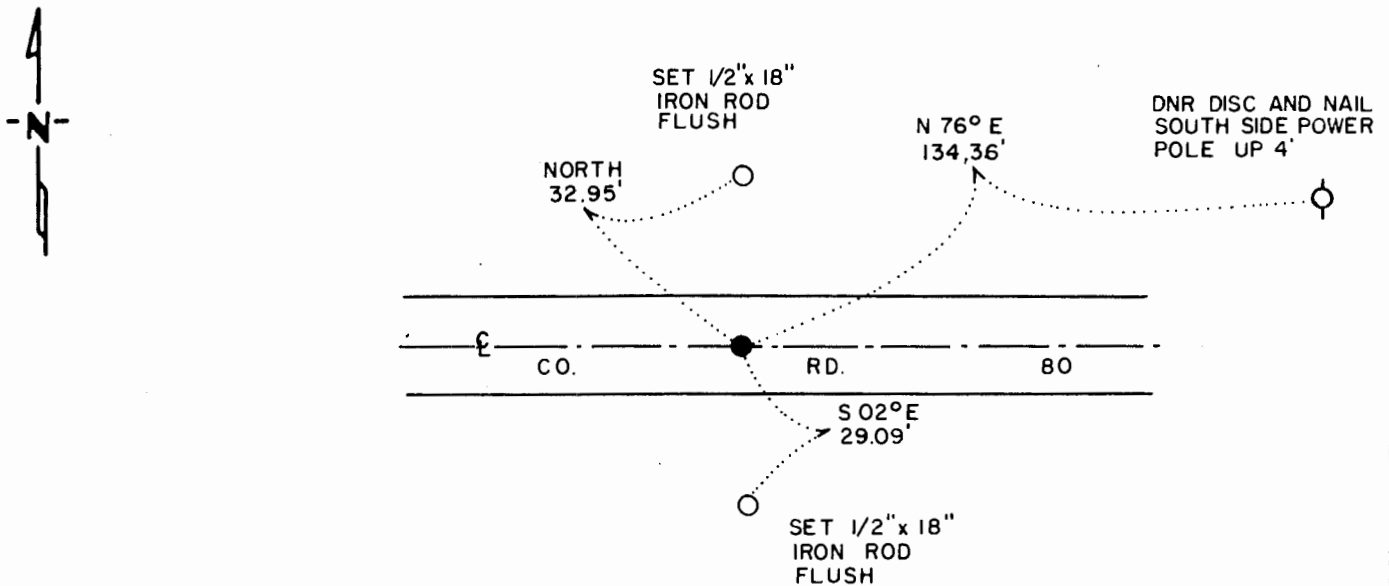
NORTH QUARTER Corner of Section 18, Township 108 N., Range 43 W., 5th P.M.

STATE OF MINNESOTA, County of MURRAY

At the corner location shown on the sketch:

- On 7-6-82 found a 6" x 10" x 12" CONCRETE CYLINDER, DOWN 2"  
DATE
- left monument as found,  lowered monument,  removed monument (explain)
- On 7-6-82 placed a 1 1/4" x 1 1/4" x 12" PERFORATED STEEL TUBE WITH  
DATE ALUMINUM CAP STAMPED "DNR SURVEY MARKER", DOWN 0.3'

### SKETCH OF REFERENCE TIES



TIES TAKEN 8-5-86  
BEARINGS OBSERVED WITH COMPASS

Statement of evidence relative to this corner location is on back of page.

J.A.G. 8-18-86  
FILE G-202

I hereby certify that this document and the data contained herein was prepared by me or under my direct supervision.

*Lowell B. Pomeroy* 9-10-86  
SIGNATURE DATE

Registration No. 17005

- Land Surveyor,  Professional Engineer
- County Surveyor,  County Engineer

### OFFICE OF THE COUNTY RECORDER

County of \_\_\_\_\_

I hereby certify that this document was filed in the Co. Recorders office at \_\_\_\_\_ .M. on the \_\_\_\_\_ day of \_\_\_\_\_ A.D., 19 \_\_\_\_\_

County Recorder \_\_\_\_\_

By \_\_\_\_\_, Deputy

DOCUMENT NO. \_\_\_\_\_

North Quarter Corner Section 18, Township 108 North, Range 43 West

This corner was originally established by the U. S. General Land Office survey in 1866. The government notes show corner marked with a wood post set in mound of earth with pits and trench dug around the mound.

In June 1982, the DNR Bureau of Engineering contacted the following for corner information:

Murray County Offices of the Recorder and Highway Engineer  
Pipestone County Office of the Recorder

The following information was obtained from the Murray County Highway Engineer's Office:

Surveyor's Record Book contains ties to government corners in Section 7, surveyor not indicated, dated 1940. Corner is shown as a concrete stone with ties:

- R. P. tack in corner fence post, NW 42.7 ft.
- R. P. tack in corner fence post, SW 46.4 ft.
- R. P. tack in corner fence post, SE 47.6 ft.
- R. P. tack in corner fence post, NE 48.3 ft.

The first two ties are also listed on a county corner tie sheet, dated 1940.

On July 6, 1982, the DNR Bureau of Engineering hired a backhoe operated by Buffalo Ridge Plumbing and Heating of Ruthton to dig for evidence of this corner. Found a 6" top diameter by 10" bottom diameter by 12" long concrete cylinder down 2" at natural ground, found nothing else under monument. Reset monument down 14" and measured:

2540.23 ft. from the northwest corner Section 18  
2648.90 ft. from the northeast corner Section 18  
on center line road east-west

Accept the found monument as the location of the corner.

Traverse information is available from the DNR Bureau of Engineering.

On August 5, 1986 revisited the corner and found the DNR Survey Marker as previously set in good condition and took ties as shown.